



WiMAX Forum[®] Network Architecture

(Stage 2: Architecture Tenets, Reference Model and Reference Points)

[Part 3 – Informative Annex]

WMF-T32-004-R010v05

(2009-03-19)

WiMAX Forum Proprietary

Copyright © 2010 WiMAX Forum. All Rights Reserved.

Network Stage2 Part3

1 Copyright Notice, Use Restrictions, Disclaimer, and Limitation of Liability.

2
3 Copyright 2010 WiMAX Forum. All rights reserved.

4
5 The WiMAX Forum® owns the copyright in this document and reserves all rights herein. This document is available for
6 download from the WiMAX Forum and may be duplicated for internal use, provided that all copies contain all proprietary notices
7 and disclaimers included herein. Except for the foregoing, this document may not be duplicated, in whole or in part, or
8 distributed without the express written authorization of the WiMAX Forum.

9
10 Use of this document is subject to the disclaimers and limitations described below. Use of this document constitutes acceptance
11 of the following terms and conditions:

12
13 **THIS DOCUMENT IS PROVIDED “AS IS” AND WITHOUT WARRANTY OF ANY KIND. TO THE GREATEST**
14 **EXTENT PERMITTED BY LAW, THE WiMAX FORUM DISCLAIMS ALL EXPRESS, IMPLIED AND**
15 **STATUTORY WARRANTIES, INCLUDING, WITHOUT LIMITATION, THE IMPLIED WARRANTIES OF TITLE,**
16 **NONINFRINGEMENT, MERCHANTABILITY AND FITNESS FOR A PARTICULAR PURPOSE. THE WiMAX**
17 **FORUM DOES NOT WARRANT THAT THIS DOCUMENT IS COMPLETE OR WITHOUT ERROR AND**
18 **DISCLAIMS ANY WARRANTIES TO THE CONTRARY.**

19
20 Any products or services provided using technology described in or implemented in connection with this document may be
21 subject to various regulatory controls under the laws and regulations of various governments worldwide. The user is solely
22 responsible for the compliance of its products and/or services with any such laws and regulations and for obtaining any and all
23 required authorizations, permits, or licenses for its products and/or services as a result of such regulations within the applicable
24 jurisdiction.

25
26 **NOTHING IN THIS DOCUMENT CREATES ANY WARRANTIES WHATSOEVER REGARDING THE**
27 **APPLICABILITY OR NON-APPLICABILITY OF ANY SUCH LAWS OR REGULATIONS OR THE SUITABILITY**
28 **OR NON-SUITABILITY OF ANY SUCH PRODUCT OR SERVICE FOR USE IN ANY JURISDICTION.**

29
30 **NOTHING IN THIS DOCUMENT CREATES ANY WARRANTIES WHATSOEVER REGARDING THE**
31 **SUITABILITY OR NON-SUITABILITY OF A PRODUCT OR A SERVICE FOR CERTIFICATION UNDER ANY**
32 **CERTIFICATION PROGRAM OF THE WiMAX FORUM OR ANY THIRD PARTY.**

33
34 The WiMAX Forum has not investigated or made an independent determination regarding title or noninfringement of any
35 technologies that may be incorporated, described or referenced in this document. Use of this document or implementation of any
36 technologies described or referenced herein may therefore infringe undisclosed third-party patent rights or other intellectual
37 property rights. The user is solely responsible for making all assessments relating to title and noninfringement of any technology,
38 standard, or specification referenced in this document and for obtaining appropriate authorization to use such technologies,
39 technologies, standards, and specifications, including through the payment of any required license fees.

40
41 **NOTHING IN THIS DOCUMENT CREATES ANY WARRANTIES OF TITLE OR NONINFRINGEMENT WITH**
42 **RESPECT TO ANY TECHNOLOGIES, STANDARDS OR SPECIFICATIONS REFERENCED OR INCORPORATED**
43 **INTO THIS DOCUMENT.**

44
45 **IN NO EVENT SHALL THE WiMAX FORUM OR ANY MEMBER BE LIABLE TO THE USER OR TO A THIRD**
46 **PARTY FOR ANY CLAIM ARISING FROM OR RELATING TO THE USE OF THIS DOCUMENT, INCLUDING,**
47 **WITHOUT LIMITATION, A CLAIM THAT SUCH USE INFRINGES A THIRD PARTY’S INTELLECTUAL**
48 **PROPERTY RIGHTS OR THAT IT FAILS TO COMPLY WITH APPLICABLE LAWS OR REGULATIONS. BY**
49 **USE OF THIS DOCUMENT, THE USER WAIVES ANY SUCH CLAIM AGAINST THE WiMAX FORUM AND ITS**
50 **MEMBERS RELATING TO THE USE OF THIS DOCUMENT.**

51
52 The WiMAX Forum reserves the right to modify or amend this document without notice and in its sole discretion. The user is
53 solely responsible for determining whether this document has been superseded by a later version or a different document.

54
55 “WiMAX,” “Mobile WiMAX,” “Fixed WiMAX,” “WiMAX Forum,” “WiMAX Certified,” “WiMAX Forum Certified,” the
56 WiMAX Forum logo and the WiMAX Forum Certified logo are trademarks or registered trademarks of the WiMAX Forum. All
57 other trademarks are the property of their respective owners.

58

Network Stage2 Part3

1	TABLE OF CONTENTS	
2	A. WIMAX FORUM® NETWORK REFERENCE ARCHITECTURE DEPLOYMENT SCENARIOS....1	
3	A.1 BUSINESS RELATIONSHIPS BETWEEN WIMAX® SUBSCRIBER, NAP, AND NSPs.....1	1
4	A.2 NAP DECOMPOSITION AND NAP SHARING.....1	1
5	A.3 DEPLOYMENT SCENARIOS.....2	2
6	A.3.1 NAP Sharing by Multiple NSPs.....3	3
7	A.3.2 Single NSP Providing Access Through Multiple NAPs.....3	3
8	A.3.3 Greenfield WiMAX® NAP+NSP.....4	4
9	A.3.4 Greenfield WiMAX® NAP+NSP with NAP Sharing.....4	4
10	A.3.5 Greenfield WiMAX® NAP+NSP Providing Roaming.....5	5
11	A.3.6 Visited NSP Providing WiMAX® Services.....5	5
12	A.3.7 Home NSP Providing WiMAX® Services.....6	6
13	B. MS MOVEMENT WITH FA CHANGE, NO PC CHANGE.....7	7
14	C. ASN-GW SELECTION PROTOCOL.....10	10
15	C.1 INITIAL ASN-GW SELECTION BY BASE STATION.....10	10
16	C.2 PER SESSION SELECTION OF PHYSICAL ENTITIES OF LOGICAL ASN-GW.....10	10
17	C.2.1 Security Considerations.....11	11
18	D. ‘RRM’: SPARE CAPACITY REPORT PER QOS PROFILES.....12	12
19	D.1 INTRODUCTION TO TYPE 1 AND TYPE 2 SPARE CAPACITY REPORT.....12	12
20	D.1.1 Format of Spare Capacity Records, Type 1 and 2.....12	12
21	D.1.2 Format of QoS Profile Descriptor.....13	13
22	D.1.3 Dynamic Configuration of Supported Service Types between RRM Entities (BS and RRC).....14	14
23	D.2 ALTERNATIVE RRM REFERENCE MODEL.....15	15
24	E. ETHERNET OPERATIONAL BEHAVIOR.....16	16
25	E.1 PACKET FORWARDING.....16	16
26	E.2 AUTHENTICATED ID LIST.....16	16
27	E.3 PACKET FILTERING.....17	17
28	E.4 FORWARDING OF PLAIN ETHERNET FRAMES (ETH-CS).....17	17
29	E.5 FORWARDING OF ETHERNET-ENCAPSULATED IP FRAMES (ETH-CS w/ IP).....18	18
30	E.6 PROXY ADDRESS RESOLUTION PROTOCOL (PROXY-ARP).....18	18
31	E.7 FORWARDING OF VLAN-TAGGED ETHERNET FRAMES (VLAN ETH-CS).....18	18
32	E.7.1 IEEE 802.1Q VLAN Transport.....18	18
33	E.7.2 BS VLAN Proxy.....18	18
34	E.7.3 BS VLAN Translation and Stacking.....19	19
35	E.7.4 BS VLAN Classification.....19	19
36	E.8 DYNAMIC HOST CONFIGURATION PROTOCOL AGENT— ADDRESS AUTHENTICATION.....19	19
37	E.8.1 Dynamic Host Configuration Protocol Optional Information Tagging.....20	20
38	F. TECHNICAL ANNEX: SUPPORT OF REAL TIME SERVICES.....21	21
39		
40		

Network Stage2 Part3

1 **TABLE OF FIGURES**

2 FIGURE A-1 - BUSINESS RELATIONSHIP BETWEEN WiMAX® SUBSCRIBER, NAP, AND NSPS 1

3 FIGURE A-2 - DECOMPOSITION AND NAP SHARING BY MULTIPLE NSPS..... 2

4 FIGURE A-3 - NAP SHARING BY MULTIPLE NSPS..... 3

5 FIGURE A-4 - SINGLE NSP PROVIDING ACCESS THROUGH MULTIPLE NAPS..... 3

6 FIGURE A-5 - GREENFIELD WiMAX® NAP + NSP 4

7 FIGURE A-6 - GREENFIELD WiMAX® NAP+NSP WITH NAP SHARING..... 4

8 FIGURE A-7 - GREENFIELD WiMAX® NAP+NSP PROVIDING ROAMING..... 5

9 FIGURE A-8 - VISITED NSP PROVIDING WiMAX® SERVICES 5

10 FIGURE A-9 - HOME NSP PROVIDING WiMAX® SERVICES..... 6

11 FIGURE B-1 - FA MIGRATION WITH NO ANCHOR PC CHANGE 8

12 FIGURE B-2 - FA MIGRATION WITH PC RELOCATION 9

13 FIGURE C-1 - INITIAL ASN-GW SELECTION BY BASE STATION 10

14 FIGURE C-2 - PER SESSION ASN-GW SELECTION..... 11

15 FIGURE D-1 - RRA AND RRC COLLOCATED IN BS 15

16

17

Network Stage2 Part3

1 LIST OF TABLES

2	TABLE D-1 - SPARE CAPACITY REPORT, TYPE 1	12
3	TABLE D-2 - SPARE CAPACITY REPORT, TYPE 2	13
4	TABLE D-3 - NRT SERVICES ENCODING (EXAMPLE).....	13
5	TABLE D-4 - RT SERVICES ENCODING (EXAMPLE).....	14
6	TABLE D-5 - EXAMPLE OF NON REAL TIME SERVICE.....	15
7	TABLE D-6 - EXAMPLE OF REAL TIME SERVICE.....	15
8		

A. WiMAX Forum® Network Reference Architecture Deployment Scenarios

Note: See §3.0 References in WMF-T32-R010v05 (WiMAX Forum® Network Architecture, Stage 2, Part 1) for references cited in this document.

This annex illustrates the motivations behind functional partitioning in WiMAX Forum® Network Architecture reference by depicting.

- Business relationships between WiMAX® subscriber, NAP and NSPs.
- Decomposition of NAP into physical elements and sharing of NAP by multiple NSPs.
- A few end-to-end WiMAX deployment scenarios by NAPs and NSPs.

A.1 Business Relationships Between WiMAX Subscriber, NAP, and NSPs

Figure A-1 illustrates the contractual interrelationships between WiMAX subscriber, NAP, and NSPs.

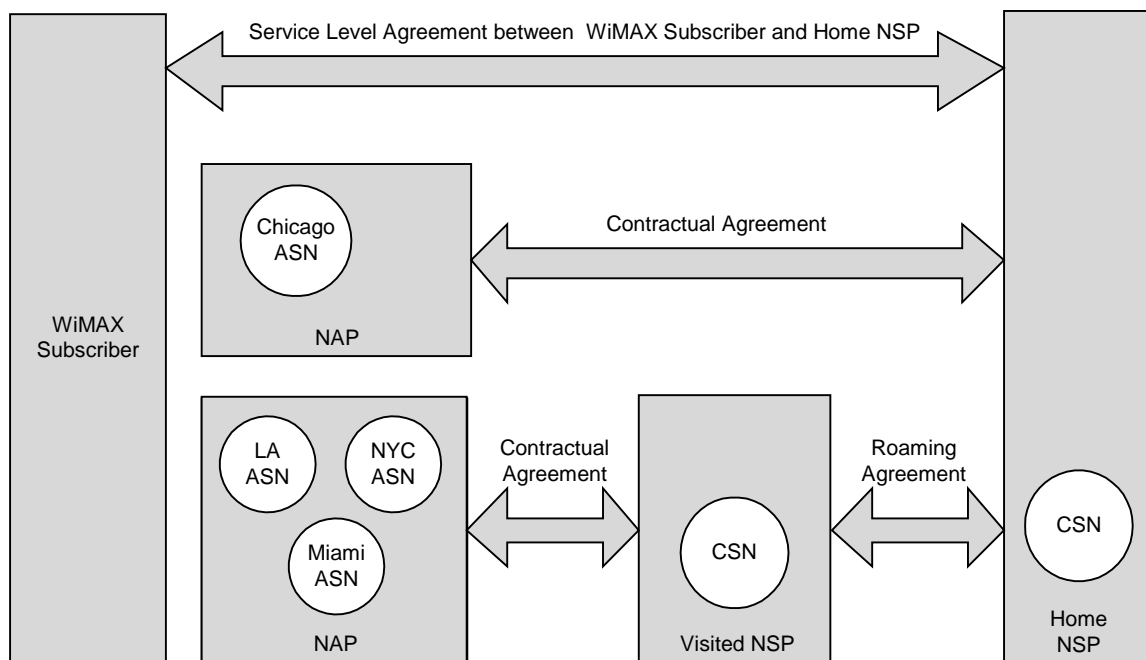


Figure A-1 - Business Relationship Between WiMAX® Subscriber, NAP, and NSPs

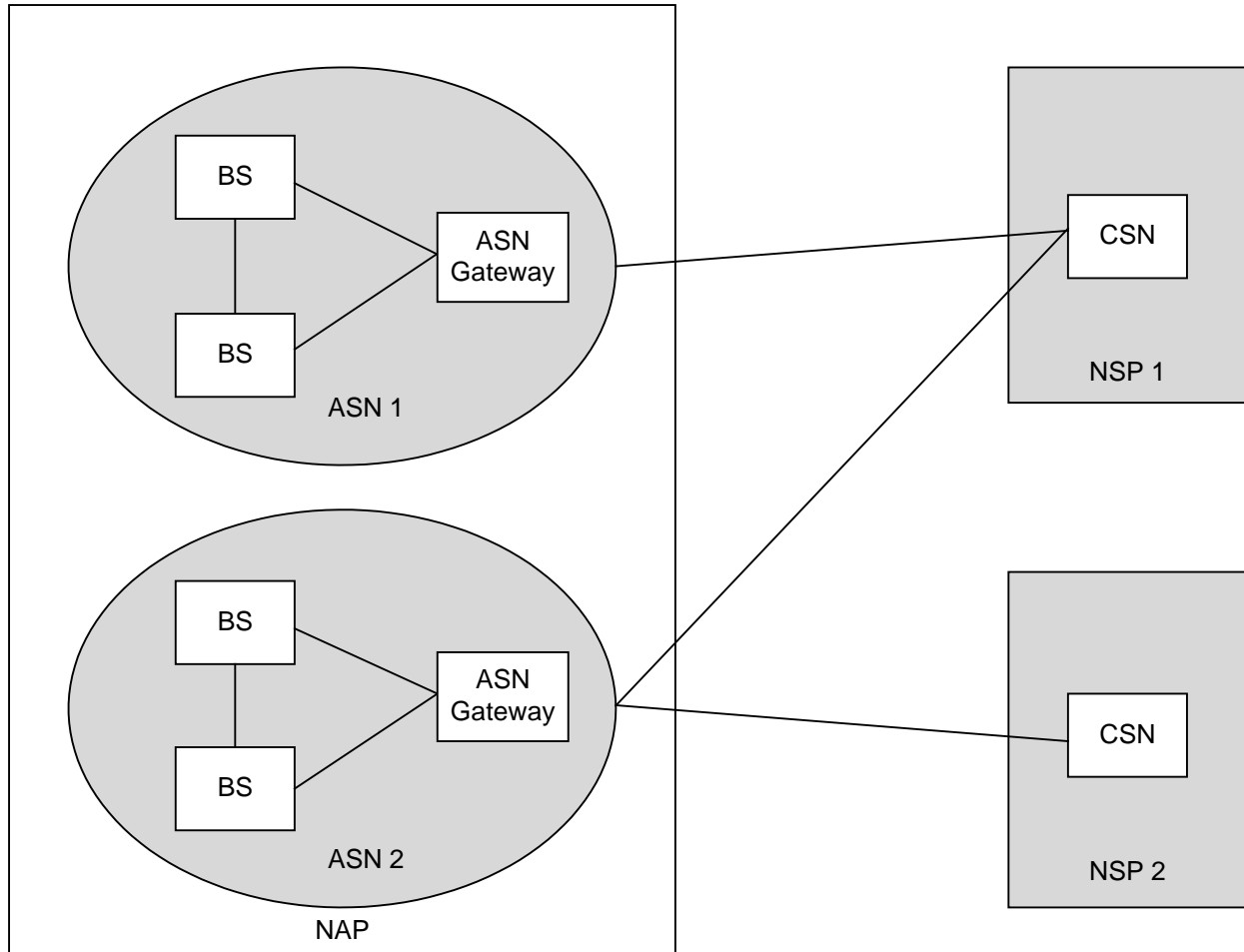
As Figure A-1 illustrates, there are three basic types of business agreements between various business entities in WiMAX network:

- Service Level Agreement between WiMAX® Subscriber and Home NSP.** This agreement allows the WiMAX subscriber to have access to a suite of WiMAX services and enable accurately billing for these services by the Home NSP.
- Contractual Agreement between NSP and NAP.** This agreement authorizes an NSP to use a given NAP's coverage area (or a part of it).
- Roaming Agreement between NSPs.** This agreement establishes roaming agreements between NSPs.

A.2 NAP Decomposition and NAP Sharing

Figure A-2 illustrates how a NAP may be decomposed in a given deployment.

Network Stage2 Part3



1

2

Figure A-2 - Decomposition and NAP Sharing by Multiple NSPs

3

Following salient features of NAP decomposition and NAP sharing are worth noting:

4

- A NAP may deploy one or more ASNs in a single or diverse geographic area.
Note: An NSP may use multiple NAPs.

5

6

- An ASN in profiles A& C comprises Base Stations (BS) (or BS clusters) and ASN Gateway(s). In profile B, ASN-GW may not be included.

7

8

- An ASN Gateway provides connectivity to one or more CSNs over a WiMAX Forum® Network Architecture defined interface. Such CSNs may belong to same or different types of NSPs. For example, NSP1 may be a WiMAX Greenfield NSP whereas NSP 2 may be an incumbent 3G operator (e.g., CDMA operator) that is also an NSP (i.e., providing WiMAX services).

9

10

11

12

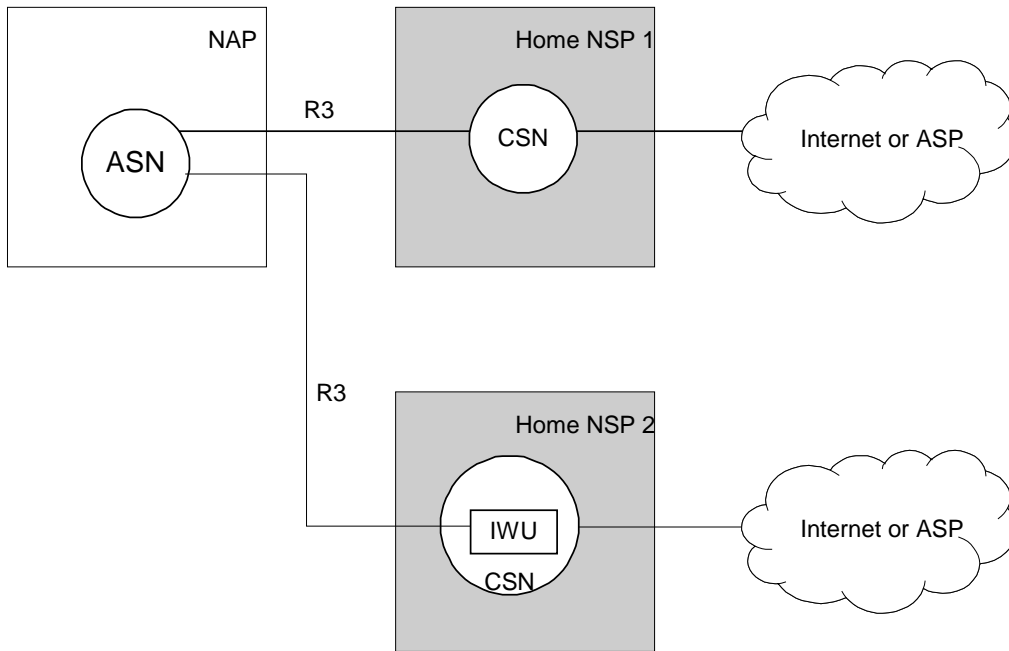
A.3 Deployment Scenarios

13

This section depicts seven deployment scenarios that illustrate interrelationships between NAP, NSP, ASN, and CSN. Following deployment scenarios are depicted in following subsection:

14

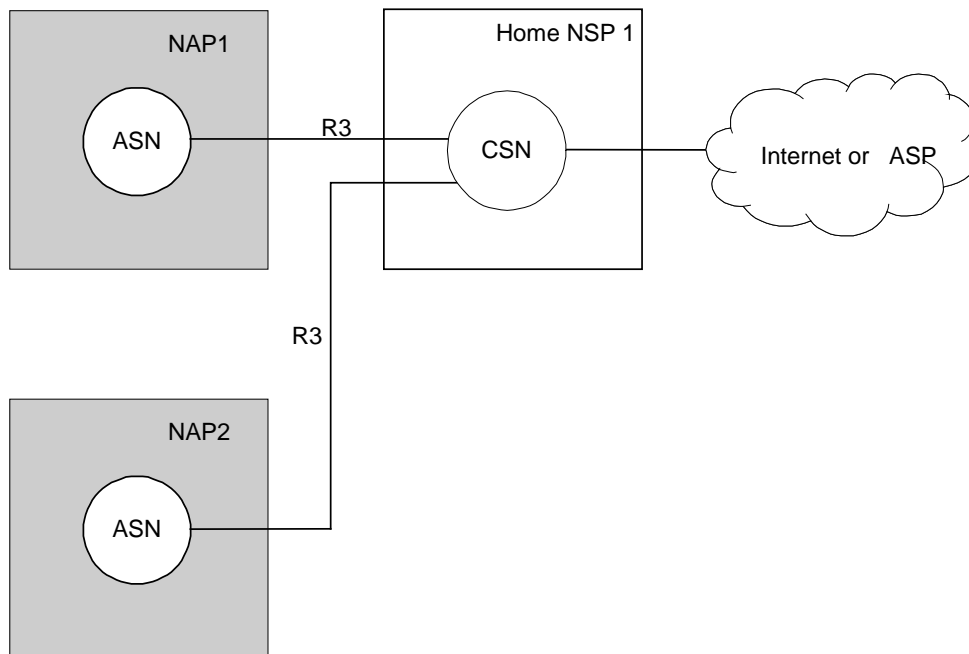
1 **A.3.1 NAP Sharing by Multiple NSPs**



2 H-NSP1 and HNSP2 may be different types of NSPs. For example, in the above figure, H-NSP1 may
 3 be a Greenfield WiMAX operator whereas H-NSP2 may be an incumbent 3GPP2 operator.

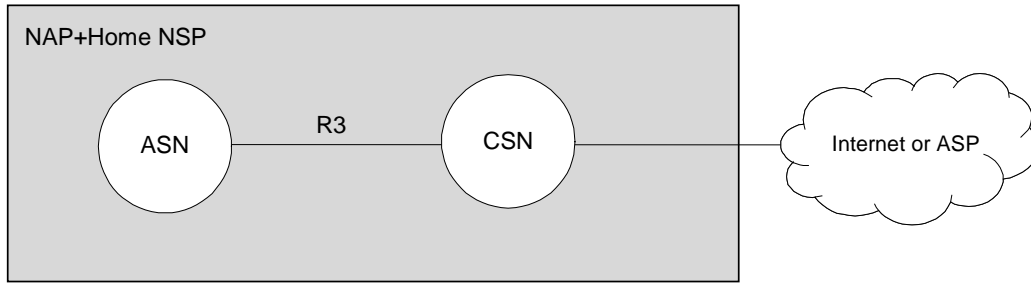
4 **Figure A-3 - NAP Sharing by Multiple NSPs**

5 **A.3.2 Single NSP Providing Access Through Multiple NAPs**



6 **Figure A-4 - Single NSP Providing Access Through Multiple NAPs**

1 **A.3.3 Greenfield WiMAX® NAP+NSP**

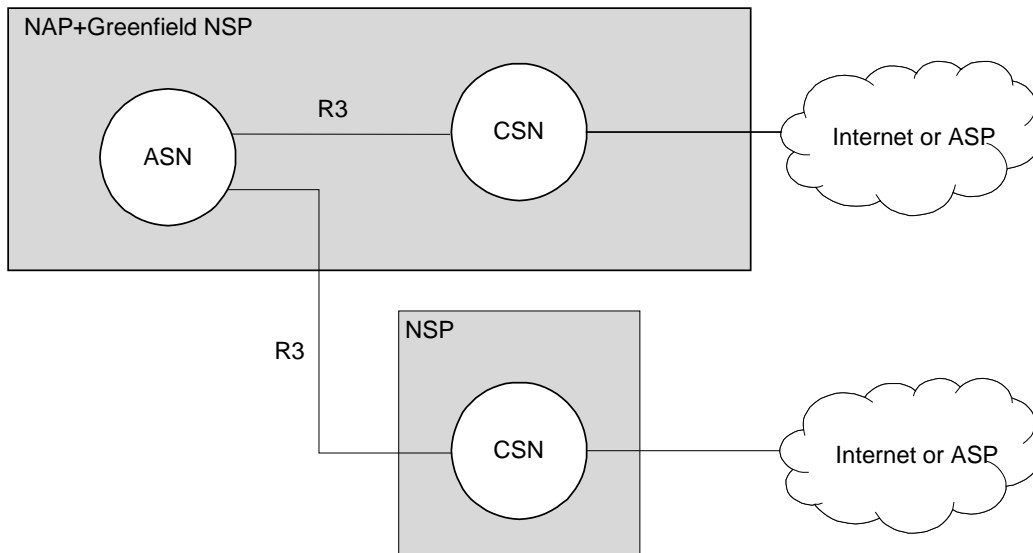


2

3

Figure A-5 - Greenfield WiMAX® NAP + NSP

4 **A.3.4 Greenfield WiMAX® NAP+NSP with NAP Sharing**

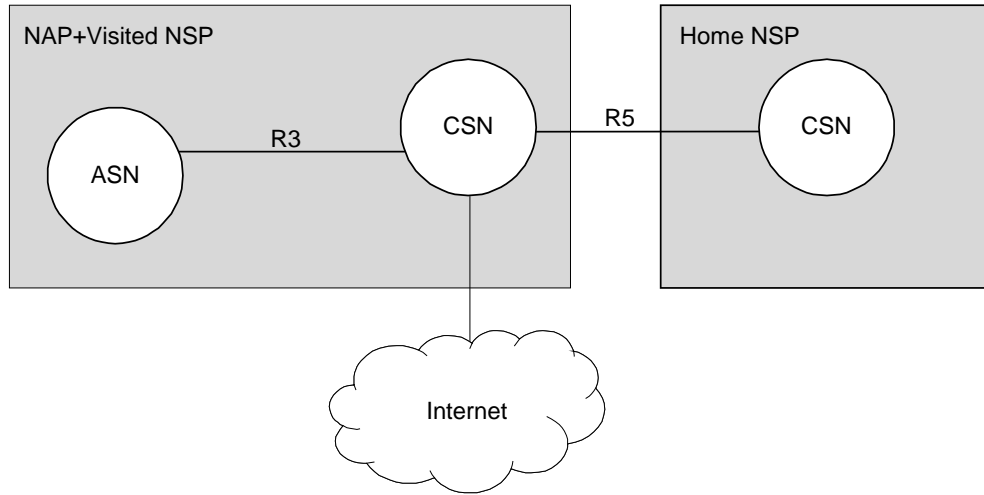


5

6

Figure A-6 - Greenfield WiMAX® NAP+NSP with NAP Sharing

1 **A.3.5 Greenfield WiMAX® NAP+NSP Providing Roaming**

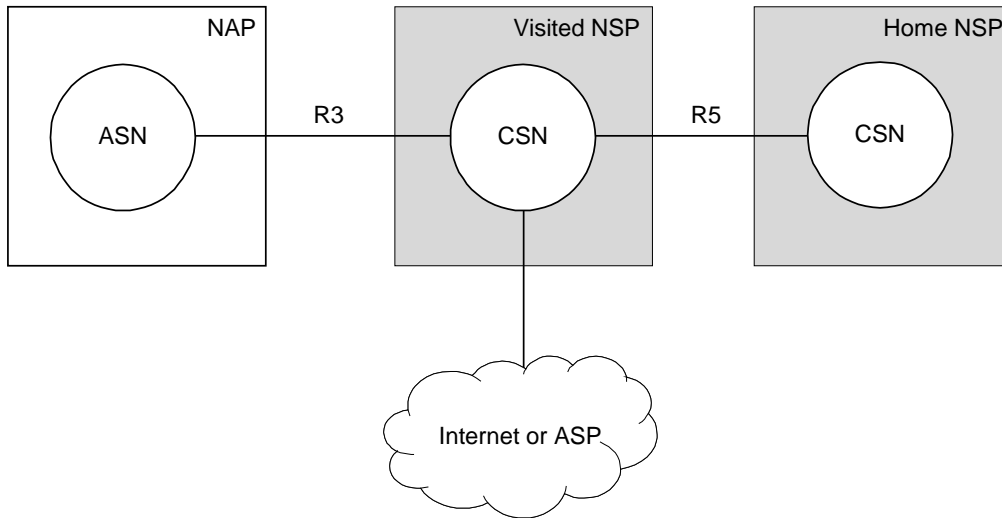


2

3 **Figure A-7 - Greenfield WiMAX® NAP+NSP Providing Roaming**

3

4 **A.3.6 Visited NSP Providing WiMAX® Services**

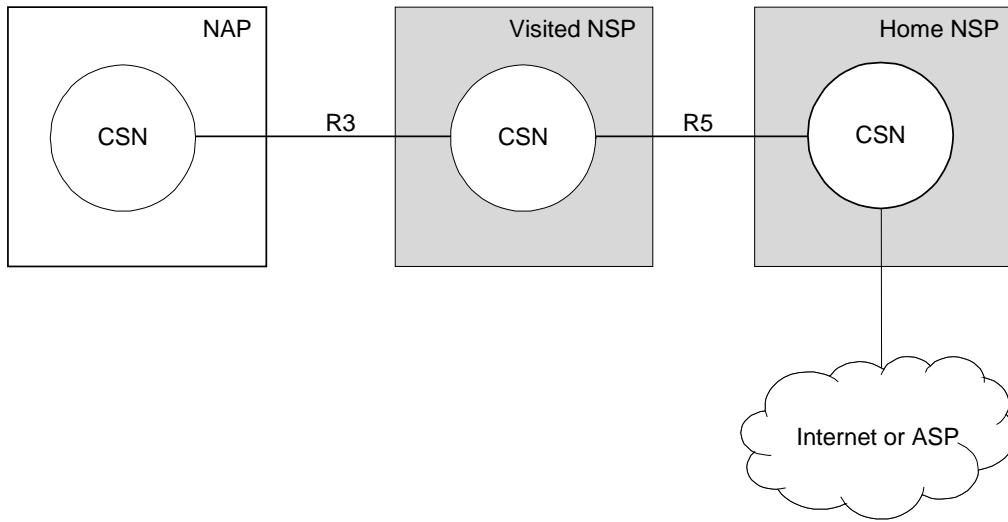


5

6 **Figure A-8 - Visited NSP Providing WiMAX® Services**

6

1 **A.3.7 Home NSP Providing WiMAX® Services**



2

3

4

Figure A-9 - Home NSP Providing WiMAX® Services

1 B. MS Movement with FA change, no PC change

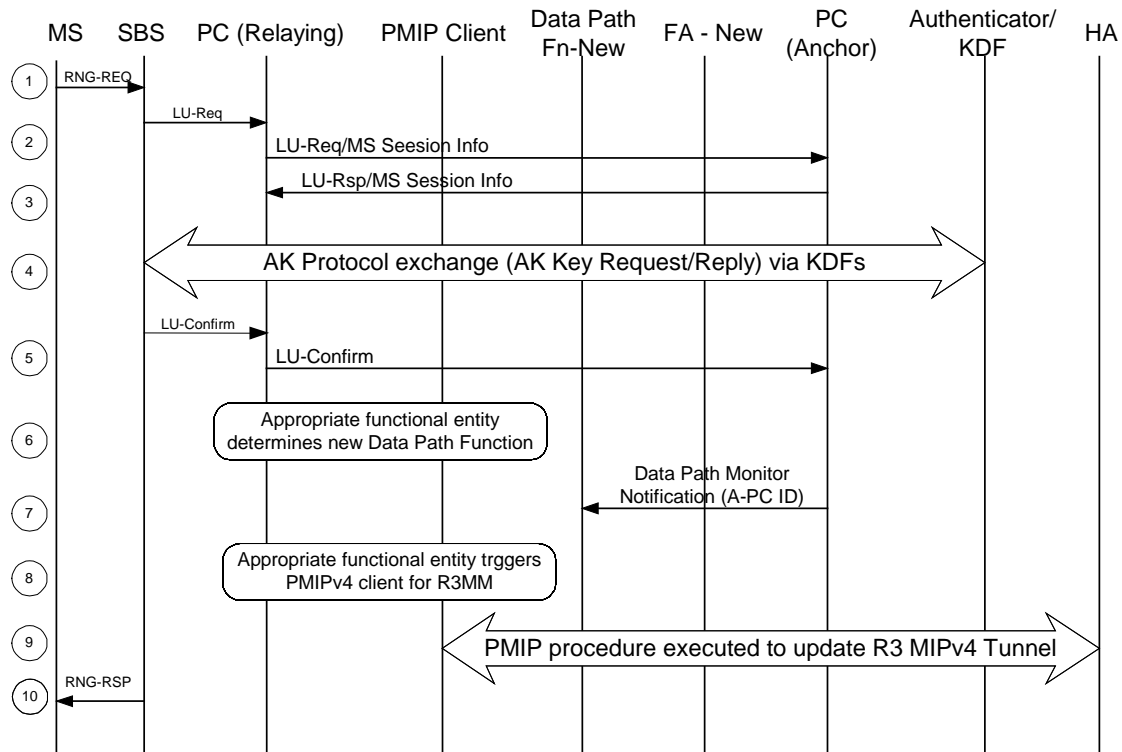
2 If PMIP is used for a given mobile, when the mobile performs a location update procedure, the foreign agent that
3 receives data for the mobile may be migrated using PMIP without having the mobile itself send any MIP registration
4 request. Note that migration of the FA is optional. When the foreign agent is migrated to a new FA, it may be
5 necessary to notify a Data Path Function associated with the new FA to monitor for data arriving for the mobile in
6 idle mode. The Data Path Function can be provided with the identity of the Anchor PC, so that when data arrives for
7 the mobile in idle mode, the Data Path function can trigger the Anchor PC to initiate paging for the mobile in the
8 appropriate paging group.

9 The following figure illustrates the case of migration of the FA by triggering PMIP procedures when the Anchor PC
10 remains the same (i.e., the mobile's context information is not relocated to a new PC but remains at the same Anchor
11 PC where it was prior to the location update). The following steps describe the steps shown in the illustration.

- 12 a. Mobile sends a RNG_REQ to a serving base station to perform location update.
- 13 b. The serving BS sends a LU Req to its Relaying PC, which contacts the Anchor PC based on the PC_ID
14 provided by the mobile. (Note that in some cases the Anchor PC may be the same as the Relaying PC
15 associated with the Serving BS). It also asks for the mobile's context information, so as to determine the
16 identity of the KDF/Authenticator from where the AK for the mobile can be obtained.
- 17 c. The Anchor PC acknowledges the location update using LU_Rsp and provides the mobile's context
18 information to the Relaying PC, which provides it to the BS. However, in this case the Anchor PC retains
19 the mobile's context (i.e., remains the anchor PC), and the mobile will be provided with the PC_ID of the
20 same Anchor PC while confirming the location update.
- 21 d. In order to verify the HMAC/CMAC-tuple on the RNG_REQ, the S-BS' associated Key Receiver fetches
22 the AK from the KDF associated with the authenticator where the mobile had last authenticated, using the
23 KDF/Authenticator ID provided in the mobile context information.
- 24 e. LU_Confirm is sent from the S-BS (through the Relaying PC) to the Anchor PC to confirm the validation
25 of the RNG_REQ.
- 26 f. The appropriate functional entity determines that the Data Path Function associated with the mobile's new
27 location (shown as "Data Path Fn-New") is different from the mobile's previous Data Path Function. The
28 logic for making this determination is unspecified and may be dependent on the physical configuration.
- 29 g. The appropriate functional entity (e.g., Anchor PC) sends a message called "Data Path Monitor
30 Notification" to the Data Path Fn-New indicating that if new data arrives for this mobile in idle mode, the
31 Data Path Function should contact the Anchor PC to initiate paging for the mobile.
- 32 h. The appropriate functional entity determines that the FA associated with the mobile's new location (shown
33 as "FA-new") should be different from the mobile's previous anchor FA. The logic for making this
34 determination is unspecified and may be dependent on the physical configuration. The PMIP client entity is
35 triggered to initiate a Proxy MIP registration request.
- 36 i. The Proxy MIP registration procedure is executed to switch the R3 tunnel from the HA to point to the new
37 FA.
- 38 j. An RNG_RSP message is sent to the mobile confirming the location update and providing the PC_ID of
39 the Anchor-PC. Note that this step may occur any time after the RNG_REQ is validated by the SBS.

40 Note that in the above, the exact timing of steps f through g, and h through I, may be interchanged depending on
41 physical configuration.

Network Stage2 Part3



1

2

Figure B-1 - FA Migration with no Anchor PC Change

3 The following figure illustrates the case of migration of the FA by triggering PMIP when the mobile context is
 4 relocated to a new PC from the Anchor PC prior to the location update. Note that relocation of the mobile context to
 5 a new PC is optional. If this option is exercised, it results in the new PC taking on the role of the Anchor PC for that
 6 mobile. In the following illustration, this occurs along with an FA migration using PMIP.

- 7 a. Mobile sends a RNG_REQ to a serving base station to perform location update.
- 8 b. The serving BS sends a LU Req to its Relaying PC, which contacts the (old) Anchor PC based on the
 9 PC_ID provided by the mobile (assuming here that the Relaying PC is different from the (old) Anchor PC).
 10 It also asks for the mobile's context information, so as to determine the identity of the KDF/Authenticator
 11 from where the AK for the mobile can be obtained.
- 12 c. The (old) Anchor PC acknowledges the location update using LU_Rsp and provides the mobile's context
 13 information to the Relaying PC, which provides it to the BS. In this case, the Relaying PC will become the
 14 new Anchor PC for this mobile, and the mobile will be given a PC_ID corresponding to the new Anchor
 15 PC when confirming the location update.
- 16 d. In order to verify the HMAC/CMAC-tuple on the RNG_REQ, the S-BS' associated Key Receiver fetches
 17 the AK from the KDF associated with the authenticator where the mobile had last authenticated, using the
 18 KDF/Authenticator ID provided in the mobile context information.
- 19 e. LU_Confirm is sent from the Relaying PC (which is now the new Anchor PC for that mobile) to the (old)
 20 Anchor PC. This confirms the validation of the RNG_REQ and the relocation of the Anchor PC, and the
 21 old Anchor PC can now delete the mobile's information from its LR.
- 22 f. The appropriate functional entity determines that the Data Path Function associated with the mobile's new
 23 location (shown as "Data Path Fn-New") is different from the mobile's previous Data Path Function. The
 24 logic for making this determination is unspecified and may be dependent on the physical configuration.
- 25 g. The appropriate functional entity (e.g., new Anchor PC) sends a message called "Data Path Monitor
 26 Notification" to the Data Path Fn-New indicating that if new data arrives for this mobile in idle mode, the
 27 Data Path Function should contact the new Anchor PC to initiate paging for the mobile.

Network Stage2 Part3

- 1 h. The appropriate functional entity determines that the FA associated with the mobile’s new location (shown
- 2 as “FA-new”) should be different from the mobile’s previous anchor FA. The logic for making this
- 3 determination is unspecified and may be dependent on the physical configuration. The PMIP client entity is
- 4 triggered to initiate a Proxy MIP registration request.
- 5 i. The Proxy MIP registration procedure is executed to switch the R3 tunnel from the HA to point to the new
- 6 FA.
- 7 j. An RNG_RSP message is sent to the mobile confirming the location update and providing the PC_ID of
- 8 the new Anchor-PC. Note that this message may be sent any time after the RNG_REQ has been validated.
- 9 Note that in the above, the exact timing of steps f through g, and h through I, may be interchanged depending on
- 10 physical configuration.

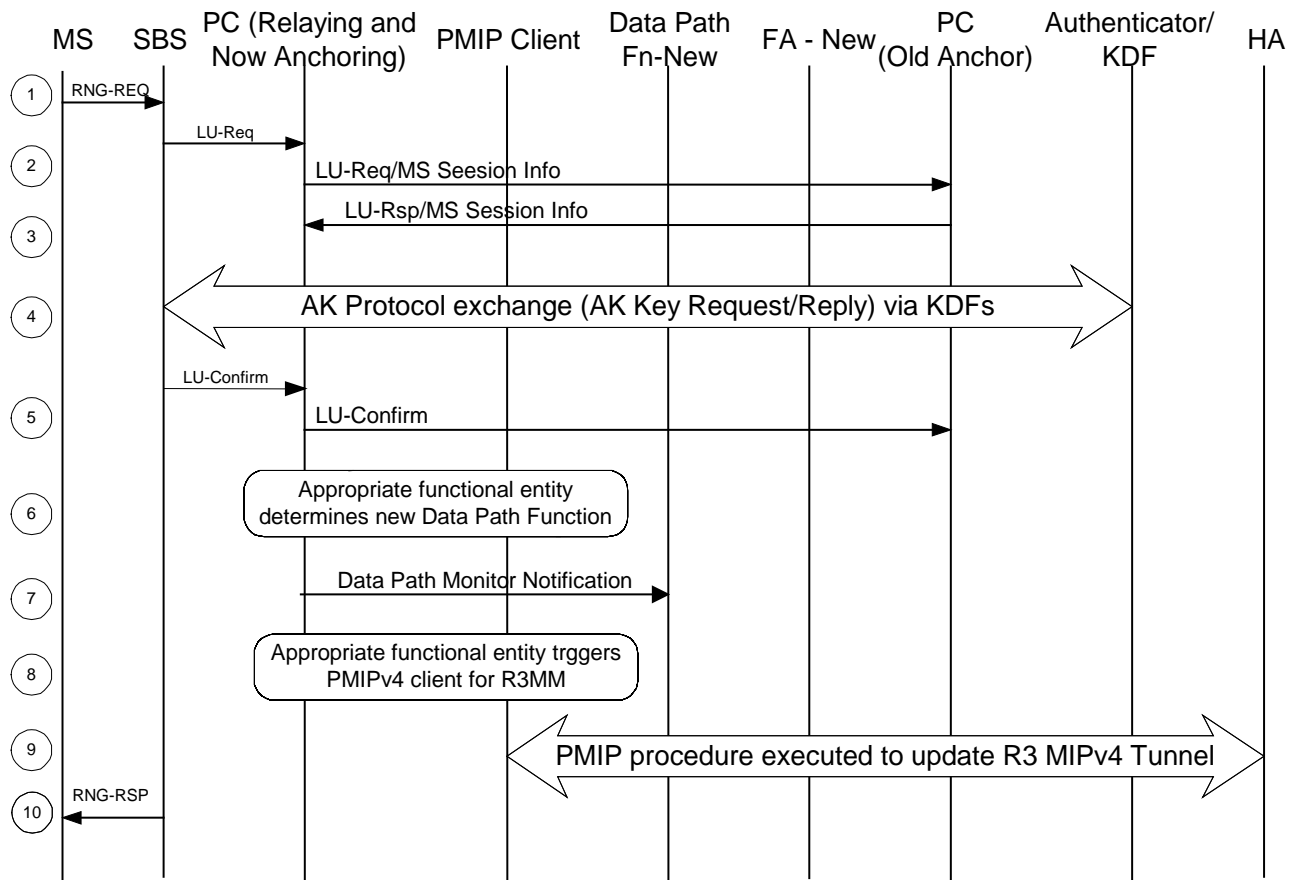


Figure B-2 - FA Migration with PC Relocation

C. ASN-GW Selection Protocol

This document covers two cases:

- Initial ASN-GW selection for Base Station and ASN-GW communications.
- Per Session ASN-GW selection.

C.1 Initial ASN-GW Selection by Base Station

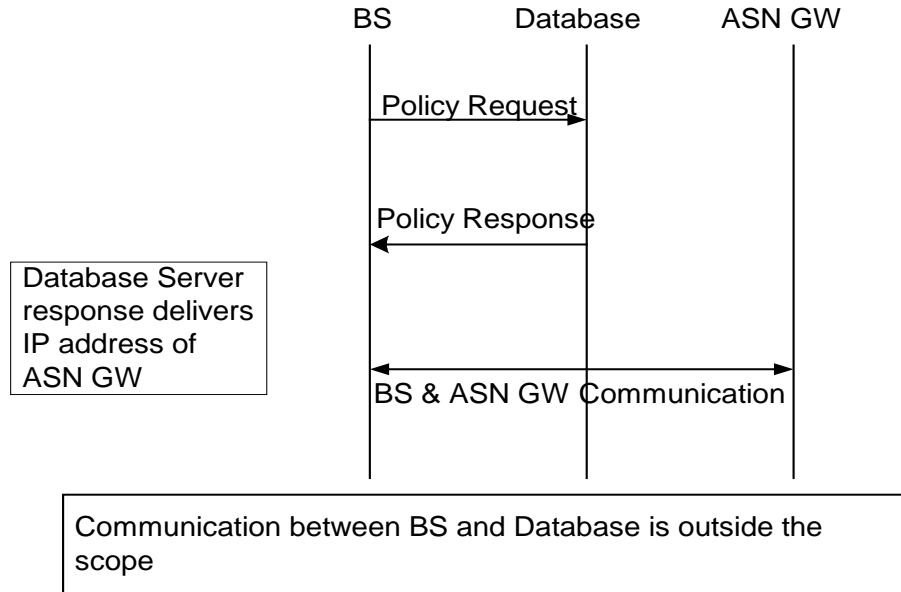


Figure C-1 - Initial ASN-GW Selection by Base Station

On Base Station startup or initial configuration Base Station contacts DB to get information about serving ASN-GW. The response includes the ASN-GW IP address.

The triggers for sending the Policy Request may include but are not restricted to the following:

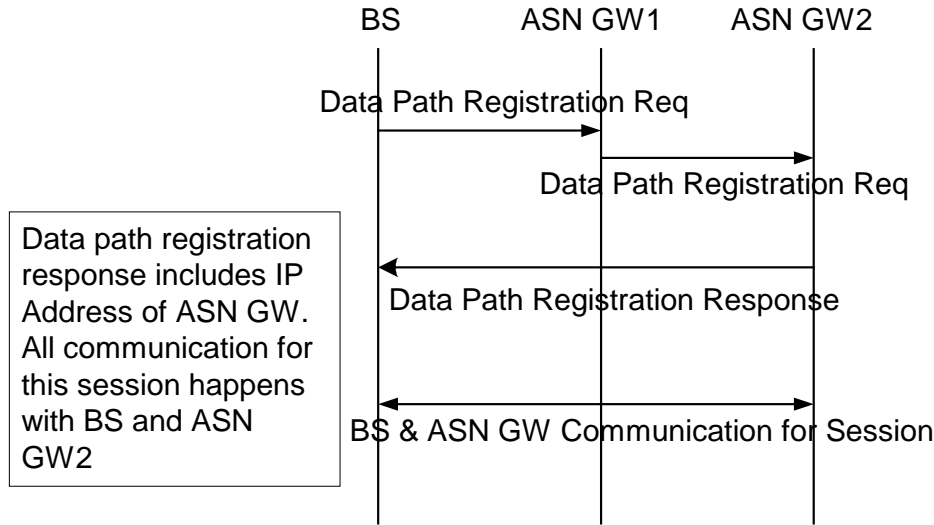
- Initial Base Station startup.
- Base Station reload.

C.2 Per Session Selection of Physical Entities of Logical ASN-GW

It may not be scalable to contact policy server/database for each and every session. Base station always contacts known ASN-GW which may be determined by the previous procedure. Once the data path registration request is received by ASNGW1, it may forward to ASN-GW2. The data path registration response is returned by ASN-GW1 (or ASN-GW2) and will include the ASN-GW IP address for the specific session. It may also return IP addresses of different physical entities of the logical ASN-GW if they exist. The ASN-GW IP address may be the same as the initial ASN-GW address or different one. The actual algorithm of determining the specific ASN-GW address returned in the response is out of scope of this document.

Multiple IP addresses of different functional entities of an ASN-GW can also be delivered to the Base Station.

Network Stage2 Part3



1
2
3
4
5
6
7
8
9
10
11

Figure C-2 - Per Session ASN-GW Selection

One example of the selection procedure is shown above. The Data Path Registration Request is sent to the initial ASN-GW, ASN-GW1 that the BS has initial communication with. This request may be forwarded to another ASN-GW2. ASN-GW2 will reply back with Data Path registration response and all communication for the session after this point will happen between BS and ASN-GW2.

C.2.1 Security Considerations

It is assumed that the Security Association between the Base Stations and ASN Gateways are pre-provisioned (e.g., there could be pre-established IPsec tunnels between each BS and ASN-GW). Thus the security context is not part of the ASN-GW Selection.

1 D. 'RRM': Spare Capacity Report per QoS Profiles

2 D.1 Introduction to Type 1 and Type 2 Spare Capacity Report

3 This annex describes Spare Capacity report per-BS, per QoS Profile and per Physical Service Level (PSL), Type 1
4 and Type 2.

5 **Spare capacity report** Type 1 and 2 are indexed by QoS profile ID and PHY service level, see details below. This
6 type of Spare capacity report contains "Spare Capacity Indicator" (SCI) values, indicating the number of MS of the
7 given type that may be added to the BS without degradation. It is calculated by the BS itself, using vendor
8 proprietary algorithm, on the base of detailed knowledge of scheduling algorithm and real time load situation.

- 9 • Type 1 is the report for several combinations of DL and UL PSL values within a predefined two-
10 dimensional range.
- 11 • Type 2 is for exactly one pair of DL and UL PSL values.

12 The reporting format for spare capacity reports of **Type 1** and **Type 2** is specified in Section 9.10.2.

13 **Type 1** shall not be supported in Release-1 and is for further releases.

14 **Type 2** shall be used in a modified form as part of the Handover Preparation phase, as decided in the "Motion on
15 RRM": "Type-2 (Spare Capacity report for a single QoS Profile and a single PHY service level PSL) for a specific
16 MS during **HO Pre-Notification response**, and QoS Profile and PSL should be in the HO Pre-Notification request".
17 The required modification is:

- 18 • It shall be embedded in the HO Pre-Notification request and response messages, i.e., these are no longer
19 RRM primitives; and
- 20 • The MS Identity must be added: The report is no longer for an anonymous, potential MS but for a specific
21 MS with already known QoS Profile and PSL value.

22 Since this Type 2 report will be part of a HO Primitives, rather than RRM primitive, it does not belong to section 7.9
23 (RRM), but should be considered for section 7.7 "ASN Anchored Mobility Management".

24 D.1.1 Format of Spare Capacity Records, Type 1 and 2

25 A spare capacity record is used to carry information on many potential options of BS-MS communication rates. It
26 may be exchanged in one of two formats – Type 1 and Type 2 – as specified in Tables below.

27 Table D-1 describes aggregate spare capacity report from RRA to RRC:

28 **Table D-1 - Spare Capacity Report, Type 1**

QoS profile descriptor	SCI = Spare capacity indicator for DL PSL = 1 UL PSL = 1	SCI = Spare capacity indicator for DL PSL = 1 UL PSL = 2	...	SCI = Spare capacity indicator for DL PSL = N UL PSL = N
4 bytes	2 bytes	2 bytes	...	2 bytes

29 Value SCI = 0 means "no information available".

30 Value SCI > 0 means that the BS is able to accommodate (SCI – 32) MS with QoS requirements specified by QoS
31 profile descriptor and specific DL/UL PSL.

32 The result belongs to the range [-31 .., 65504]. Value SCI < 32 means that the BS suffers from degradation, which
33 will be relaxed if (32 – SCI) MS with corresponding PSL values leave the BS.

Network Stage2 Part3

1 Table D-2 describes an optional alternative format of spare capacity report from BS. This format shall be used when
 2 RRC queries a specific BS on its ability to accommodate a new service flow characterized by a QoS profile
 3 descriptor. For such cases, the BS may decide report the spare capacity for that QoS profile, for a specific set of DL
 4 PSL and UL PSL values. Alternatively, the BS may report the spare capacity for all sets of DL PSL and UL PSL
 5 values using Type 1 report format.

6 **Table D-2 - Spare Capacity Report, Type 2**

QoS profile descriptor	DL PSL	UL PSL	SCI = Spare Capacity Indicator
4 bytes	1 byte	1 byte	2 bytes

7 Value SCI = 0 means “no information available”.

8 Value SCI > 0 means that the BS is able to accommodate (SCI – 32) MS with QoS requirements specified by QoS
 9 profile descriptor.

10 The result belongs to the range [-31 to 65504]. Value SCI < 32 means that the BS suffers from degradation, which
 11 will be relaxed if (32 – SCI) MS with corresponding PSL values leave the BS.

12 D.1.2 Format of QoS Profile Descriptor

13 The QoS profile descriptor contains information on service flows authorized for MS. The descriptor has the
 14 following format: {**DescrType**, **NRTSInd**, **RTSInd1**, **RTSInd2**} where **DescrType** identifies the format of
 15 descriptor. This field is a function of the number of different services assigned to MS.

16 Value **DescrType** = 0 corresponds to the case when there are **at most three services** per mobile terminal including
 17 at most two real time (RT) services. Each **RT service** is carried by MAC connection (or **pair of connections, for**
 18 **DL and UL**). All **non-real time services** are carried by a single pair of **DL and UL MAC connection** with certain
 19 QoS properties.

20 Other DescrType values are reserved for future extensions.

21 **NRTSInd** is an index associated with certain set of parameters for non-real time service (see examples in Table
 22 D-3).

23 **Table D-3 - NRT Services Encoding (example)**

NRTSInd	Direction	QoS Parameters
...
18	DL	NRT-VR Max rate =512, reserved rate = 128
	UL	NRT-VR Max rate =128, reserved rate = 64
19	DL	NRT-VR Max rate =1024, reserved rate = 256
	UL	NRT-VR Max rate =128, reserved rate = 64

24 **RTSInd1/2** are indexes associated with certain set of parameters for two real-time services (see examples in Table
 25 D-4).

1
2**Table D-4 - RT Services Encoding (example)**

RTSInd	Activity	Direction	QoS Parameters	Notes
...	
120	Non-active	DL	RT-VR Nominal rate =384, reserved rate = 256, max latency = 100 ms	Video conferencing
		UL	RT-VR Nominal rate =384, reserved rate = 256, max latency = 100 ms	
121	Active	DL	RT-VR Nominal rate =384, reserved rate = 256, max latency = 100 ms	Video conferencing
		UL	RT-VR Nominal rate =384, reserved rate = 256, max latency = 100 ms	
122	Non-active	DL+UL	UGS packet length = 120, period = 60ms	VoIP call
		DL+UL	UGS packet length = 120, period = 60ms	
123	Active	DL+UL	UGS packet length = 120, period = 60ms	VoIP call
		DL+UL	UGS packet length = 120, period = 60ms	
...	

3 All indexes are one byte length. Index 0 means no service specified.

4 Meaning of indexes and their correspondence to QoS parameters is configured, per ASN or NAP. This encoding
5 may differentiate between active and non-active RT services. For example, RT services LSB may be allocated for
6 activity flag. So if the service is for VoIP, LSB will be set for calls, which are currently active (and therefore need an
7 immediate capacity allocation after HO).

8 **Note:** The need for the “Activity” indicator in the Spare Capacity indicator for RT Services should be reviewed. The
9 report might be restricted to active services only. This is FFS.

10 **D.1.3 Dynamic Configuration of Supported Service Types between RRM Entities (BS** 11 **and RRC)**

12 In order to provide scalability of new service deployments (i.e., new QoS profiles) without impacting changes in
13 RRM procedures across several operators offering services, the supported Service Types to be used in RRM Spare
14 Capacity reports whenever these are indexed by QoS Profiles are learnt dynamically between BS and RRC.
15 Following considerations apply for dynamic learning of supported QoS profiles:

16 BSs may dynamically learn supported profiles from RRC.

17 Learning of the profiles may be done via the R6 protocol during initialization.

18 Each profile is identified for a unique profile ID, which could be used to index further RRM measurements.

19 A primitive to retrieve profiles on R6 is sent from the BS to RRC, and as a response, the BS receives all the profiles
20 to be used.

Network Stage2 Part3

1 A Service is defined as a pair of DL and UL QoS description and is formatted as (Service Indicator ServInd, Type of
 2 Service, and parameters associated with profile).
 3 Example of a **Non Real time Service** is as follows:

4 **Table D-5 - Example of Non Real Time Service**

ServInd	Type	DL Max Rate	DL Reserved Rate	UL Max Rate	UL Reserved Rate
1	NRT	1024	512	512	256

5 Example of a **Real-Time Service** is as follows:

6 **Table D-6 - Example of Real Time Service**

ServInd	Type	DL Nominal rate	DL Reserved Rate	DL Max Latency	UL Nominal rate	UL Reserved Rate	UL Max Latency
2	RT	384	256	100	384	256	100

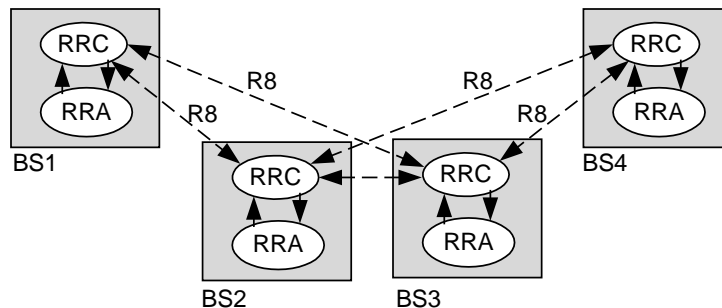
7
 8 Forwarding of Ethernet encapsulated IP frames (ETH-CS w/ IP).

9 **D.2 Alternative RRM reference model**

10 Generic Reference Model #2b is characterized by:

- 11 - RRA and RRC collocated in the BSs;
- 12 - R8 is used for RRC to RRC communication.

13 This is shown in Figure D-1.



14
 15 **Figure D-1 - RRA and RRC Collocated in BS**

16 The above reference model is based on collocated RRA and RRC in each BS. The interface between RRA and RRC
 17 is outside the scope of this specification. It MAY be noted that in this reference model, only the information
 18 reporting procedures (dashed lines) are standardized at the WiMAX Forum® Network Architecture -specified R8
 19 reference point, while the decision support procedures (bold lines) between RRA and RRC in each BS are
 20 proprietary and not standardized. The R6 reference point is not shown because R6 primitives are not used to
 21 exchange RRM information in this reference model.

1 E. Ethernet Operational Behavior

2 The sections below cover operational behavior of Ethernet.

3 E.1 Packet Forwarding

4 The System shall classify any and all hosts connected to a MS as an un-trusted source connected to an un-trusted
5 port.

6 The System shall classify any and all hosts connected to the BS via its Ethernet interface as trusted sources
7 connected to trusted ports.

8 The System shall support basic packet forwarding.

9 The System shall support an Authenticated ID List.

10 When receiving a packet from an un-trusted port that is not singled out by requirements stated herein, the System
11 shall forward that packet to a trusted port provided the source MAC address is found in the Authenticated ID List.

12 When receiving a packet from a trusted port that is not singled out by requirements stated herein, the System shall
13 forward that packet to a specific un-trusted ports identified by the destination MAC address provided that this
14 destination MAC address is found in the Authenticated ID List.

15 E.2 Authenticated ID List

16 The System shall provide a persistent data storage for the current *MS Authenticated ID List* that is stored in each
17 specific MS.

18 The System shall synchronize the *BS Authenticated ID List* with the *MS Authenticated List* any time the MS
19 registers with the BS.

20 The System shall synchronize the *BS Authenticated ID List* for the current BS of a MS when the *system provisioning*
21 *element Authenticated ID List* is updated for that MS. The Authenticated ID list may be provisioned via PKMv2
22 EAP authentication, in which case the mechanism for synchronization is described below:

23 In particular in the case of ETH CS with IP:

24 The System shall support dynamic additions/deletions to/from the *BS Authenticated ID List* from the *DHCP*
25 *Authenticating Agent* that is performing *DHCP ACK Snooping*.

26 The System shall synchronize the *MS Authenticated ID List* as a subset from the *BS Authenticated ID List* any time
27 an entry is added to or removed from the *BS Authenticated ID List* as a result of either the *Authenticating DHCP*
28 *Agent* or the system provisioning element *Authenticated ID List* synchronization.

29 In the case where the Authenticated ID list is provisioned via PKMv2 EAP authentication:

30 When the MS successfully authenticates to the network (using whatever identities and credentials are required by
31 the operator), the AAA server sends to the BS (via the AAA protocol) indication of authentication success as well as
32 the provisioned classifier and service flow parameters.

33 The prioritized classifier list shall specify classifiers and associated service flow information for the packets
34 originating at MAC address or addresses that are permitted origin addresses for this authenticated user.

35 The prioritized classifier list shall specify “drop” for non-authentication packets originating at any other MAC
36 address.

37 If dynamic authentication is supported for additional MS devices (e.g., via 802.1x), then upon successful MS
38 authentication a management element at the provider shall dynamically provision appropriate classifier and service
39 flow parameters for frames bearing the source MAC address of the newly authenticated MS.

40 In particular, in the case of ETH CS with VLAN Tags.

41 VLAN tag associations shall be provisioned per MS.

Network Stage2 Part3

- 1 Host generated VLAN tags shall be authenticated using the MS provisioned tag and VLAN feature.
2 VLAN Ethernet frames as well as plain Ethernet frames shall be forwarded as defined herein to the trusted network
3 after authentication; otherwise the VLAN tagged frames shall be silently ignored.

4 **E.3 Packet Filtering**

5 The System shall support *Broadcast Filtering*.

6 The System shall have the ability to enable or disable all *Ingress Broadcast Filter* and *Egress Broadcast Filter*
7 functionality defined herein.

8 If disabled, the *Ingress Broadcast Filter* and *Egress Broadcast Filter* shall pass all packets destined for the MAC
9 broadcast or any MAC multicast address.

10 Upon receiving any packet destined for the MAC broadcast or any MAC multicast address, the *Broadcast Ingress*
11 *Filter* shall silently discard the packet.

12 Upon receiving any packet destined for the MAC broadcast or any MAC multicast address, the *Broadcast Egress*
13 *Filter* shall silently discard the packet.

14 The System shall support *Basic Ingress Filtering*.

15 The System shall have the ability to enable or disable all *Ingress Filter* functionality defined herein.

16 If disabled, the *Ingress Filter* shall pass all packets.

17 The *Ingress Filter* shall silently discard any packet received for which the packet's destination MAC address can be
18 found in the *MS Authenticated ID List*.

19 Upon receiving any packet from the MS, the *Ingress Filter* shall discard the packet if the source MAC address
20 cannot be found in the current *MS Authenticated ID List*.

21 In particular in the case of ETH CS w/ IP:

22 The *Ingress Filter* shall permit all Address Resolution Protocol messages to pass to the *ARP Ingress Proxy Agent*.

23 The Ingress Filter shall permit all DHCP messages to pass to the Authenticating and Tagging DHCP Agents.

24 Upon receiving any packet from the MS that can be identified as an IP datagram, the *Ingress Filter* shall discard the
25 datagram if the source IP address cannot be found in the current *MS Authenticated ID List*.

26 **E.4 Forwarding of Plain Ethernet Frames (ETH-CS)**

27 The MS may support *Standard Learned Bridging* between its airlink and any physical or logical MS side interfaces.

28 The BS shall support *Standard Learned Bridging* between its airlink and its backhaul links.

29 When performing *Standard Learned Bridging*, the BS or MS shall learn all source MAC addresses originating from
30 a given un-trusted MS port up to MAXMSIP individual learned addresses. Subsequently, any packets destined for
31 one of those learned address should be forwarded directly to that un-trusted port. The accumulation of all learned
32 MAC to port associations constitutes the *MS Learned Bridge Table* as managed by the MS. The accumulation of all
33 learned MAC to port associations constitutes the *BS Learned Bridge Table* as managed by the BS.

34 When performing *Standard Learned Bridging*, the BS or MS shall silently discard all packets received from an un-
35 trusted port, e.g., MS, for which the packet's destination MAC address is also an entry for that port in the *MS*
36 *Learned Bridge Table*.

37 When performing *Standard Learned Bridging*, the BS or MS shall automatically unlearn a MAC to un-trusted port
38 relationship after BRIDGETIMEOUT seconds have expired without any traffic from that MAC address.

39 When performing *Standard Learned Bridging*, the BS or MS shall forward all packets received from any un-trusted
40 port to a trusted port provided the destination MAC address does not match a currently learned relationship to an un-
41 trusted port. This implies that peer-to-peer communication is not available when performing *Standard Learned*
42 *Bridging*.

Network Stage2 Part3

1 When performing *Standard Learned Bridging*, the BS or MS shall flood any packet received from a trusted port
2 destined for a MAC broadcast or multicast address to all un-trusted ports.

3 When performing *Standard Learned Bridging*, the BS or MS shall forward all packets received from a trusted port
4 to an un-trusted port that is identified by the destination MAC address. If a learned port corresponding to the
5 destination MAC address does not exist, the packet must be silently discarded. The IP TOS field shall be inspected
6 and may be used as an authenticated QoS trigger.

7 **E.5 Forwarding of Ethernet-encapsulated IP Frames (ETH-CS w/ IP)**

8 The System shall support port and host classification.

9 **E.6 Proxy Address Resolution Protocol (Proxy-ARP)**

10 The System shall support Proxy-ARP.

11 The System shall have the ability to enable or disable all *ARP Ingress Proxy Agent* and/or *ARP Egress Proxy Agent*
12 functionality defined herein.

13 If disabled, the *ARP Ingress Proxy Agent* or *ARP Egress Proxy Agent* shall pass all ARP packets without
14 discrimination or modification using *Standard Learned Bridging*.

15 Upon receiving an ARP Request from a trusted source, the *ARP Egress Proxy Agent* shall unicast an ARP Response
16 back to that trusted source, provided that the target address matches an entry in the *Authenticated ID List*. If the
17 match is found, the *ARP Egress Proxy Agent* shall also forward the original ARP Request to the specific MS
18 identified by the match. Otherwise, the *ARP Egress Proxy Agent* shall silently discard the Request.

19 Upon receiving an ARP Response message from a trusted source, the *ARP Egress Proxy Agent* shall forward the
20 response to the MS specifically addressed by the destination MAC address, provided that this address can be found
21 in the *Authenticated ID List*. Otherwise, the *ARP Egress Proxy Agent* shall silently discard the Response.

22 Upon receiving an ARP Request from an un-trusted source, the *ARP Ingress Proxy Agent* shall unicast an ARP
23 Response back to that trusted source provided that the target address matches an entry in the *Authenticated ID List*.
24 If the match is found, the *ARP Ingress Proxy Agent* shall also forward the original ARP Request to the specific MS
25 identified by the match. Otherwise, the *ARP Ingress Proxy Agent* shall flood the Request to all trusted ports.

26 Upon receiving an ARP Response message from an un-trusted source, the *ARP Ingress Proxy Agent* shall silently
27 discard the Response.

28 The *ARP Ingress Proxy Agent* shall silently discard any received self-ARP Requests. Those are requests for a target
29 IP address, that when queried in the *Authenticated ID List* results in a response MAC equal to the Request's source
30 MAC address.

31 The ARP Egress Proxy Agent shall issue a gratuitous ARP for any new addition to the Authenticated ID List
32 resulting from DHCP ACK Snooping, MS Authenticated ID List merging, or provisioning system Authenticated ID
33 List synchronization. An unsolicited broadcast ARP Response constitutes a gratuitous ARP.

34 **E.7 Forwarding of VLAN-tagged Ethernet Frames (VLAN ETH-CS)**

35 Filtering and forwarding of plain Ethernet shall apply to IEEE Std 802.1pq VLAN tagged frames.

36 **E.7.1 IEEE 802.1Q VLAN Transport**

37 Filtering and forwarding of plain Ethernet shall apply to VLAN tagged frames.

38 Authenticated host generated VLAN Ethernet frames as well as plain Ethernet frames shall be forwarded to the
39 trusted network.

40 Unauthenticated VLAN Ethernet frames shall be discarded.

41 **E.7.2 BS VLAN Proxy**

42 The BS shall act as a VLAN proxy and add VLAN tags to ingress traffic and remove egress traffic.

Network Stage2 Part3

- 1 The BS shall transmit only the untagged Ethernet frames over the air.
- 2 The BS shall make VLAN tag associations based on BS provisioned policies.

3 **E.7.3 BS VLAN Translation and Stacking**

- 4 VLAN IDsVLAN IDsVLAN IDsThe BS shall make VLAN tag translation or stacking associations based on BS
- 5 provisioned policies. The BS shall translate MS private VLAN IDs and Priorities to the CSN core VLAN IDs and
- 6 priorities, or the BS shall stack MS private VLAN IDs and Priorities inside the CSN core VLAN IDs and priorities.

7 **E.7.4 BS VLAN Classification**

- 8 The VLAN priority tag IEEE Std 802.1p shall be inspected and may be used as an authenticated QoS trigger.

9 **E.8 Dynamic Host Configuration Protocol Agent— Address Authentication**

- 10 The System shall support DHCP Agent Address Snooping.
- 11 The System shall have the ability to enable or disable all *Authenticating DHCP Agent* functionality defined herein.
- 12 If disabled, the *Authenticating DHCP Agent* shall forward all DHCP messages without discrimination or
- 13 modification using *Standard Learned Bridge Forwarding*.
- 14 The *Authenticating DHCP Agent* shall add an entry in the *Authenticated ID List* upon detection of a DHCP ACK
- 15 from the server on a trusted port. This is called *DHCP ACK Snooping*. The duration of the lease, LEASE, the
- 16 moment of lease, LEASEMOMENT, and the corresponding MS shall also be recorded in the *Authenticated ID List*.
- 17 The *Authenticating DHCP Agent* shall silently discard all DHCP DISCOVERY, INFORM, REQUEST, and
- 18 DECLINE messages received on a trusted port.
- 19 The *Authenticating DHCP Agent* shall silently discard all DHCP OFFER, ACK, NACK, and FORCERENEW
- 20 messages received on an untrusted port.
- 21 When forwarding DHCP OFFER, ACK, NACK, FORCERENEW to untrusted MS ports, the *Authenticating DHCP*
- 22 *Agent* shall correlate the target hardware address (not destination MAC), transaction identifier, and agent remote
- 23 identifier (if present) with a previously DHCP DISCOVERY, INFORM, REQUEST, or DECLINE. If a correlation
- 24 is made, only the MS identified from the first message shall be used to forward the subject message, even if destined
- 25 for a broadcast MAC. Otherwise, the message shall be silently discarded.
- 26 When maintaining state for target hardware address, transaction identifier, and agent remote identifier received from
- 27 a DHCP DISCOVERY, INFORM, REQUEST, or DECLINE that is meant to correlate with a returning DHCP
- 28 OFFER, ACK, NACK, or FORCERENEW, the *Authenticating DHCP Agent* shall expire the state and reclaim
- 29 resources if the response is not received within T4 seconds.
- 30 When adding an entry to the *Authenticated ID List*, the *Authenticating DHCP Agent* shall start a timer for that entry
- 31 which is set to expire at a point not to exceed the original lease duration (LEASE) from the original lease moment
- 32 (LEASEMOMENT). This includes List augmentation from *DHCP ACK Snooping*, *MS Authenticated ID List*
- 33 merging, and *provisioning system Authenticated ID List* synchronization.
- 34 The *Authenticating DHCP Agent* shall remove an entry from the *Authenticated ID List* when forwarding a DHCP
- 35 NACK to an untrusted port.
- 36 The *Authenticating DHCP Agent* shall remove an entry from the *Authenticated ID List* when forwarding a DHCP
- 37 DECLINE message issued from an untrusted port.
- 38 **Note:** The resulting DHCP ACK must still be forwarded even after the entry is removed from the List.
- 39 The *Authenticating DHCP Agent* shall remove an entry from the *Authenticated ID List* upon detection of a timer
- 40 expiration.
- 41 The *Authenticating DHCP Agent* shall remove all entries from the *Authenticated ID List* corresponding to a
- 42 particular MS when a Registration Cancellation is received.

Network Stage2 Part3

1 The *Authenticating DHCP Agent* shall remove an old entry from the *Authenticated ID List* upon detection of an
2 existing IP address in the List before adding a new entry. The old entry is only discarded if it has a finite LEASE
3 period. Otherwise, the new entry is discarded.

4 The *Authenticating DHCP Agent* shall discard the least-recently-leased entry, e.g., the one with the oldest
5 LEASEMOMENT, in the *Authenticated ID List* that uses the same MS if an attempt to added a new entry to the List
6 is made which results in more than MAXMSIP entries for that MS.

7 **E.8.1 Dynamic Host Configuration Protocol Optional Information Tagging**

8 The System shall support DHCP Information Option Tagging.

9 The System shall have the ability to enable or disable all *Tagging DHCP Agent* functionality defined herein.

10 If disabled, the *Tagging DHCP Agent* shall forward all DHCP messages without discrimination or modification
11 using *Standard Learned Bridge Forwarding*.

12 The *Tagging DHCP Agent* shall append (or tag) an Information Option to all DHCP DISCOVERY, INFORM,
13 REQUEST, and DECLINE messages received from an untrusted port. The modified message must be then
14 forwarded/flooded to all trusted ports.

15 Any DHCP DISCOVERY, INFORM, REQUEST, or DECLINE message received by the *Tagging DHCP Agent* that
16 already contains an Information Option shall be silently discarded.

17 The *Tagging DHCP Agent* shall remove (or detag) any Information Options from all DHCP OFFER, ACK, NACK,
18 and FORCERENEW messages received from a trusted port. The modified message must be then forwarded to the
19 untrusted MS port.

20 **Note:** The subject message is not required to have the Information Option.

21 When tagging a DHCP message, the *Tagging DHCP Agent* shall add the Agent Circuit ID sub-option (1), specifying
22 the BS ID as the circuit ID.

23 When tagging a DHCP message, the *Tagging DHCP Agent* shall add the Agent Remote ID sub-option (2),
24 specifying the MS ID as the circuit ID.

25

F. Technical Annex: Support of real time services

As Release 1.0.0 provides only pre-provisioned QoS-Service Flows, Service Flows for real time service could not be activated dynamically. This limitation requires specific arrangements to support real time services also in Release 1.0.0.

As QoS resources are reserved for the whole duration while a subscriber is attached to the network, it is recommended to only activate QoS-services which allow sharing of radio resources dependent on the current traffic. The use of UGS (Unsolicited Grant Service) is not recommended because it will lock radio resources also in case if there is no traffic.

To provide 100% service guarantee it is recommended that the amount of bandwidth of real time services for the maximum of attached users per BS do not exceed the maximum bandwidth provided by the BS.

$$BW_{RT} * Subs_{Max} < BW_{Max}$$

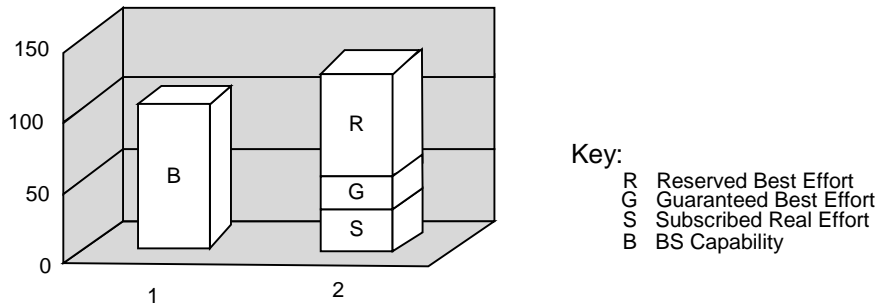
BW_{RT} ... Bandwidth of real time service

$Subs_{Max}$... Maximum number of subscribers attached to a BS

BW_{Max} ... Maximum bandwidth provided by the BS

An illustrative example:

A guaranteed best effort together with the amount of active real time services should not exceed the BS capabilities. The unassured bandwidth of best effort traffic could exceed the capability of a BS.



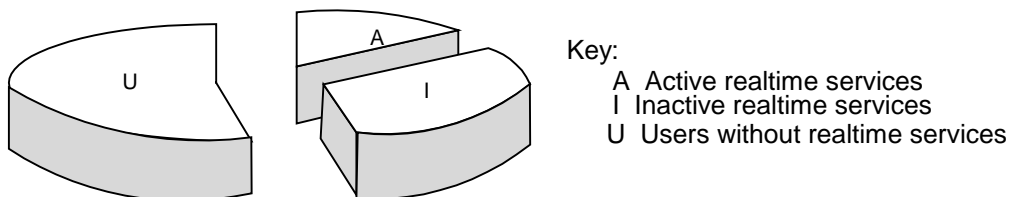
The number of maximum subscribers with real time service could be increased dependent on the distribution of active and inactive subscribers attached to a network and the usage of the real time service. E.g. a usage frequency of 50% for a service (which means, that an attached subscriber uses the service actively 50% of the time) will double the number of subscribers possible to be attached to a BS.

$$Subs_{Max} < BW_{Max}$$

Such extension of supported users may reduce the service guarantee.

An illustrative example:

All the registered subscribers are composed by users with and without a subscription for real time services. Furthermore, subscribers with a subscription can be reduced by them which haven't them activated.



Network Stage2 Part3

- 1 This will reduce the BS capability to guaranteed bandwidth and the traffic expected by subscribers with activated
- 2 real time traffic.
- 3